

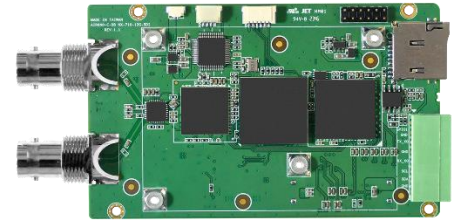
AIR6N0-C-DB NX 12G-SDI

YUAN

AI Edge for 12G-SDI

Features

- Business Card Size
- 1x12G-SDI In & Loop



Specifications

Interface	
Peripheral Communication	8 Pin Phoenix Connector 1xGPIO 1xRS232 (*) 1xI2C 2x6 Pin Header 3xGPIO 1xRS485 1xI2C * Please select either RS232 of 8 Pin Phoenix Connector or UART of 6 Pin Wafer to use
Storage	1xMicro SD Card Slot
Video Capture Resolutions	12G-SDI : 4096x2160@60/50fps 3840x2160@60/50fps 6G-SDI : 4096x2160@30/25/24fps 3840x2160@30/25/24fps 3G-SDI : 1920x1080p@60/50fps HD-SDI : 1920x1080p@30/25/24fps 1920x1080i@60/50fps 1280x720p@60/50fps SD-SDI : 720x480i@60fps 720x576i@50fps
Misc. Features	Firmware Upgradable
Development Environment	
JetPack	6.2 or Higher
Environment	
Power Consumption	TBA
Operating Temperature	0~60 `C with Airflow
Storage Temperature	-20~80 `C
Certification	CE, FCC

Key Points

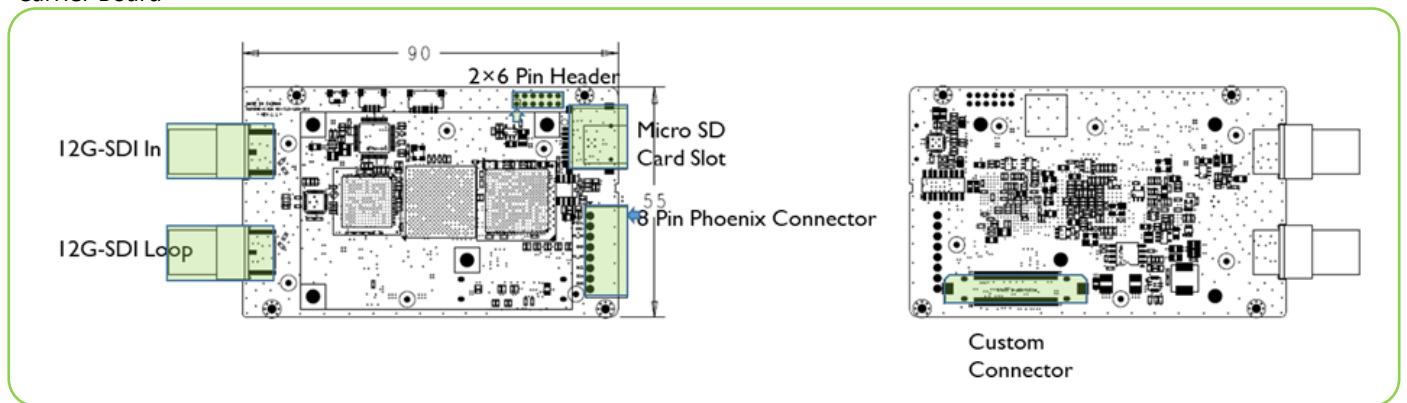
Video Feature	
Input	1x12G-SDI
Output	1x12G-SDI (Loop)

Mechanical

- Dimension: 90mm × 55mm

I/O Layout

- Carrier Board



* All registered trademarks are the property of their owners. The photo is for reference only.

* Technology License Patent Royalty. Supplier (YUAN Technology Ltd.) as an OEM vendor is not responsible for any royalties applied to the Models and collected by any patent or trade mark holders or his exclusive, non-exclusive.

Licenses or representatives such as MPEGLA, Dolby, Thomson, Sisvel, H.264, MPEG4 and any other natural or legal person. All concerning royalties of patents and trade marks will be paid or negotiated with the above mentioned owner by you. In case of any patent or trademark infringement you are responsible for all necessary processes and costs. You accept and acknowledge that all prices of Models offered by supplier are exclusive of any royalties, charges or license fees for any patents in any countries or areas.